

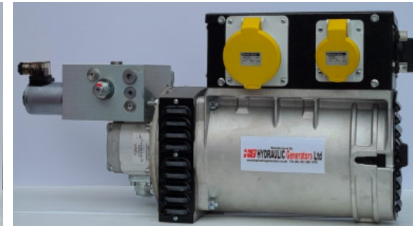
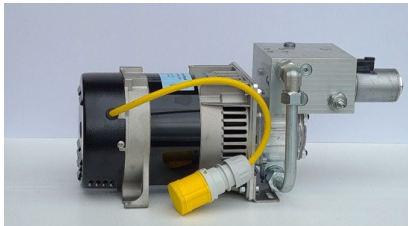
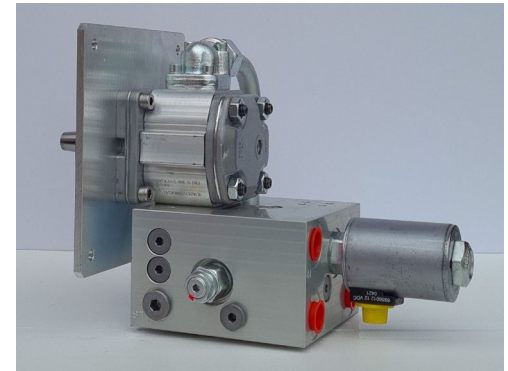
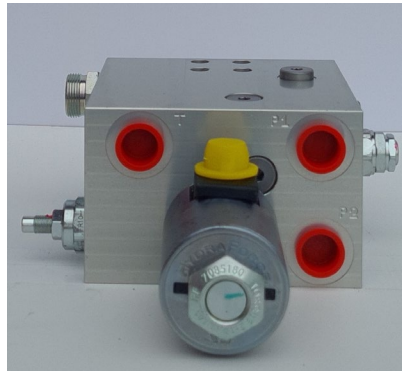
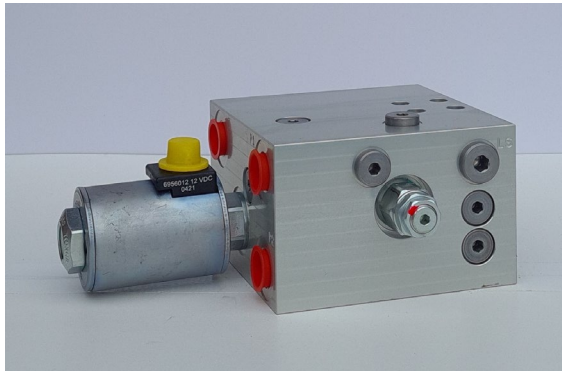


Hydraulic Generators Ltd

Manufactured By

HMG HYDRAULIC Generators Ltd

www.hydraulicgenerators.co.uk - Tel (44) 203 286 7476





Hydraulic Generator Components

Standard Hydraulic Generator Components

- Meccalte capacitor controlled, 2 pole, 3000 rpm, brushless alternator
- Marzocchi Group 2, ALM 2 hydraulic gear motor
- Hydraforce [SV12-34](#) 2 way, 3 position 12Vdc solenoid valve
- Rexroth pressure relief valve
- Hydraforce [FR10-39](#) Pressure Compensated Flow Control Valve
- 2 pole RCBO - Residual Current Circuit Breaker with Overcurrent Protection in IP64 enclosure.

AVR controlled Meccalte alternator available on request
24Vdc solenoid option available.



The HG Hydraulic Generator is a complete packaged onboard power solution designed for integration into an existing hydraulic circuit, suitable for both fixed displacement and variable displacement pumps.

The HG Hydraulic Generator converts hydraulic power into AC power for powering tools and machinery, available in both single and three phase, 50 or 60Hz.

The HG Hydraulic Generator consists of a two pole, AC alternator close coupled to a Group 2 Hydraulic Motor complete with integrated hydraulic manifold incorporating 12 or 24Vdc 2 way, 3 position solenoid valve, which can be utilised as an on/off valve or directional valve, pressure compensated flow control valve, pressure relief valve, anti-cavitation valve and load sense port.

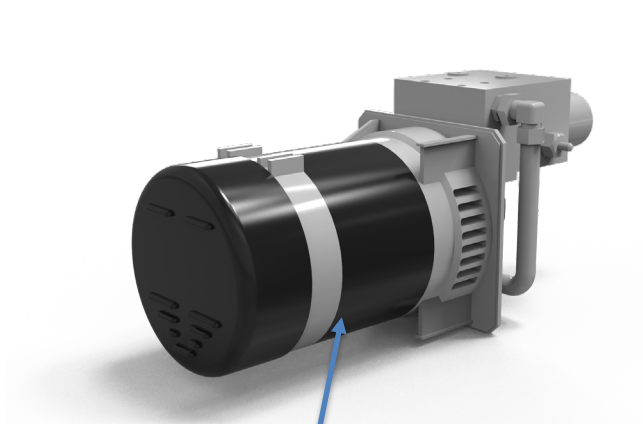


When selecting the correct hydraulic generator for your application we would recommend firstly establishing the available flow from the pump to the hydraulic generator, once this is known we can then identify the most suitable hydraulic motor for the application, utilising as much flow as possible reduces the pressure required.

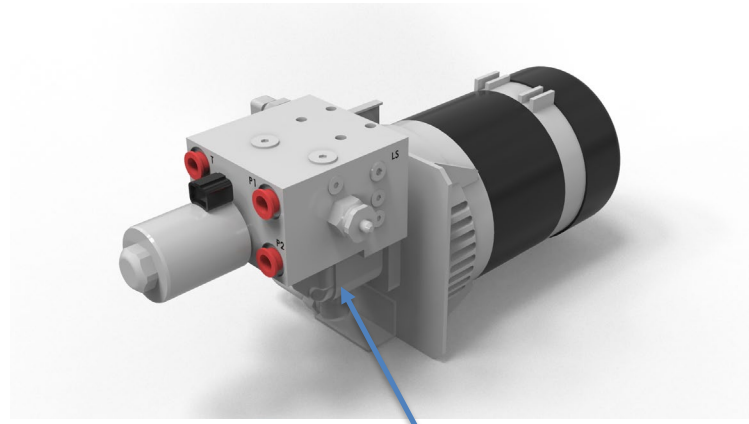
For example we would typically fit a 7cc per rev motor for a 5kVa hydraulic generator, 7cc per rev at 3000rpm equates to 21 litres per minute to the hydraulic motor which at full load will require 145 bar.

Flow in litres per minute x Pressure in bar / 600 = kVa available

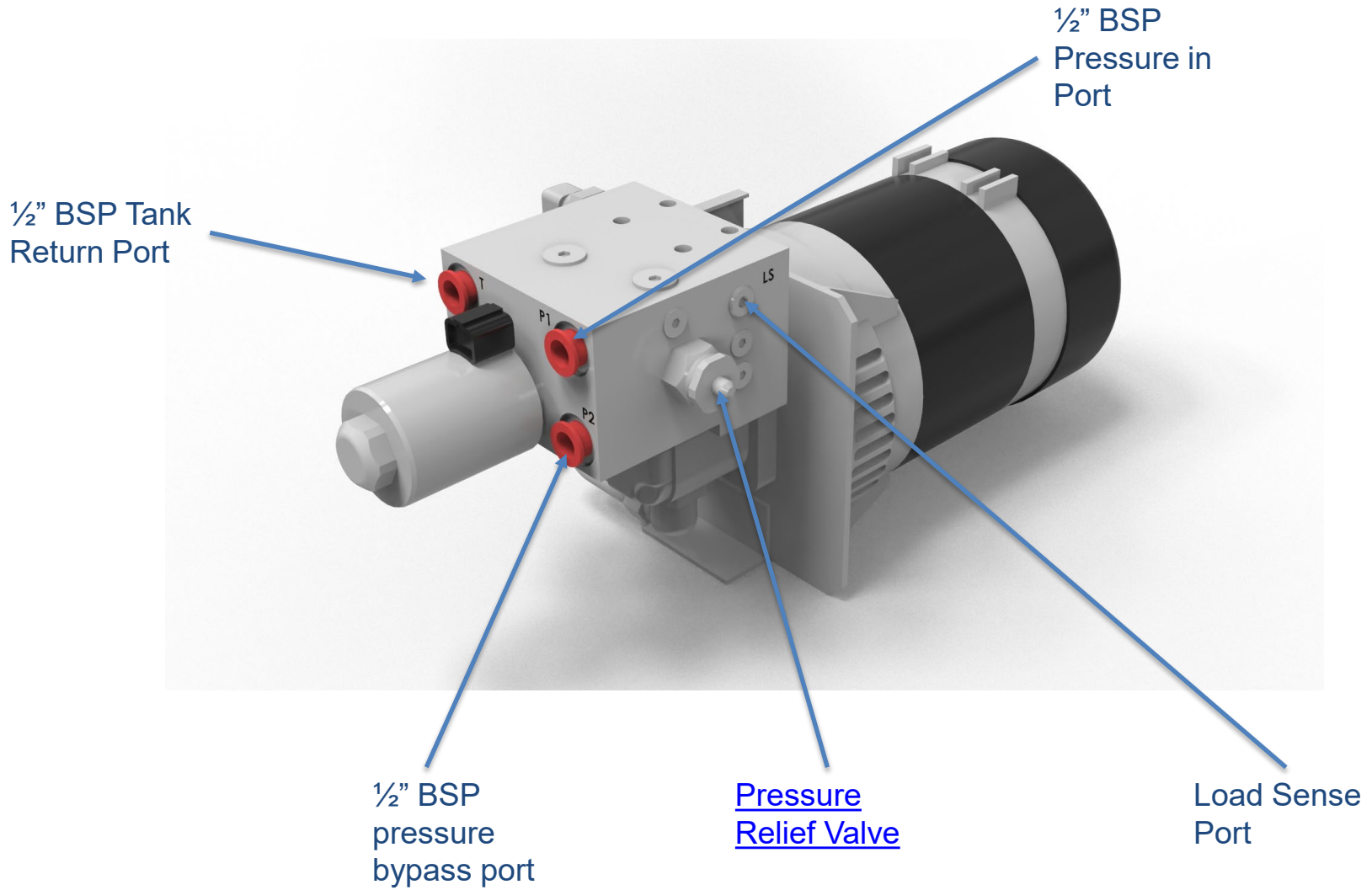
So $21 \times 145 / 600 = 5.075$ kVa alternatively we could use a 4cc motor (12 litres per minute) but this would require 250 bar, $12 \times 250 / 600 = 5$ kVa

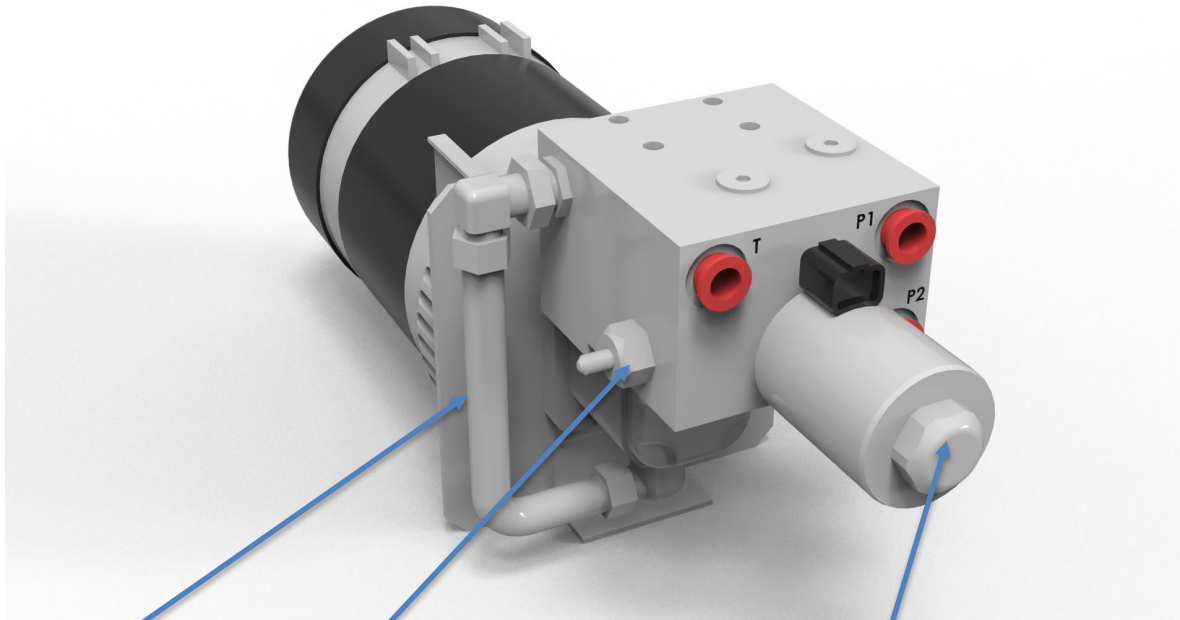


2 Pole AC alternator from 2.5 kVa up to 12 kVa, single or three phase options available



Interchangeable Group 2 Hydraulic Motor available from 4cc up to 12cc per rev dependent upon power requirement

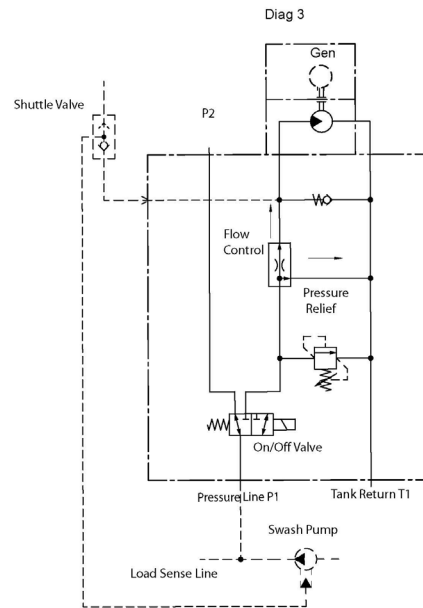
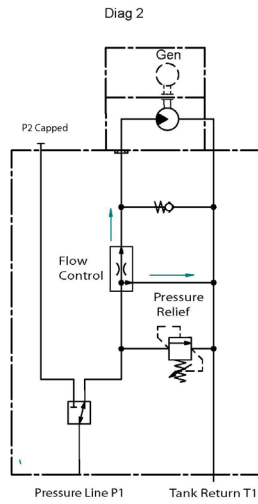
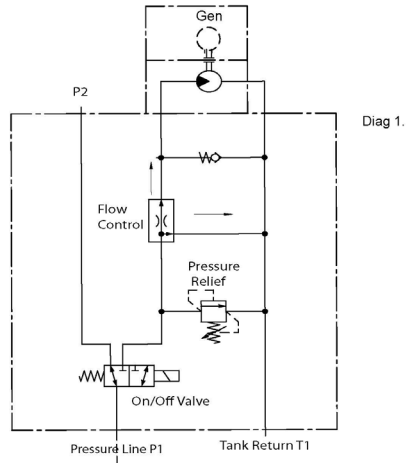




Integrated
Tank Return

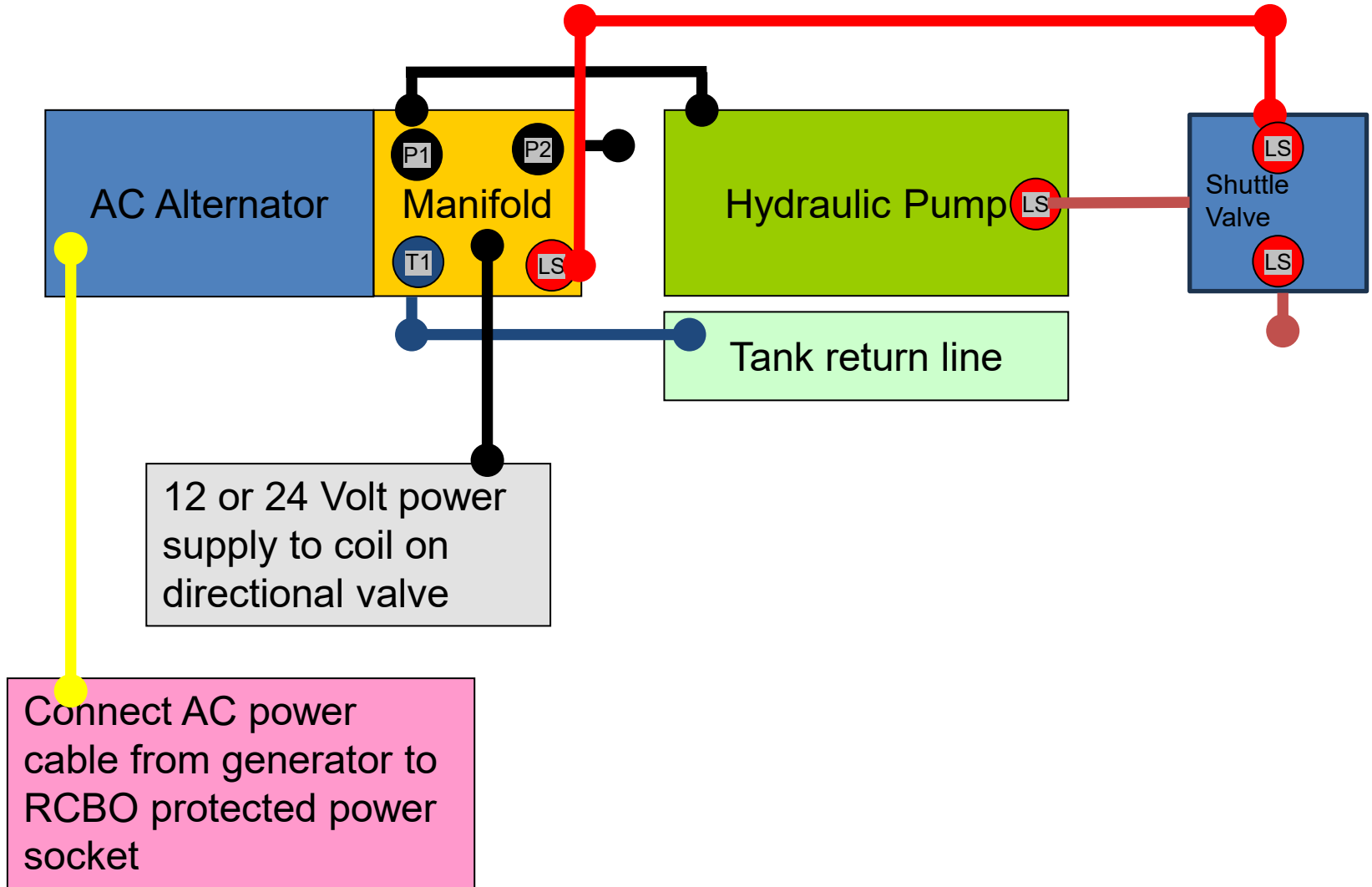
Pressure
Compensated
Flow Control

Solenoid operated, two position, three-way,
direct acting spool valve 12 or 24Vdc



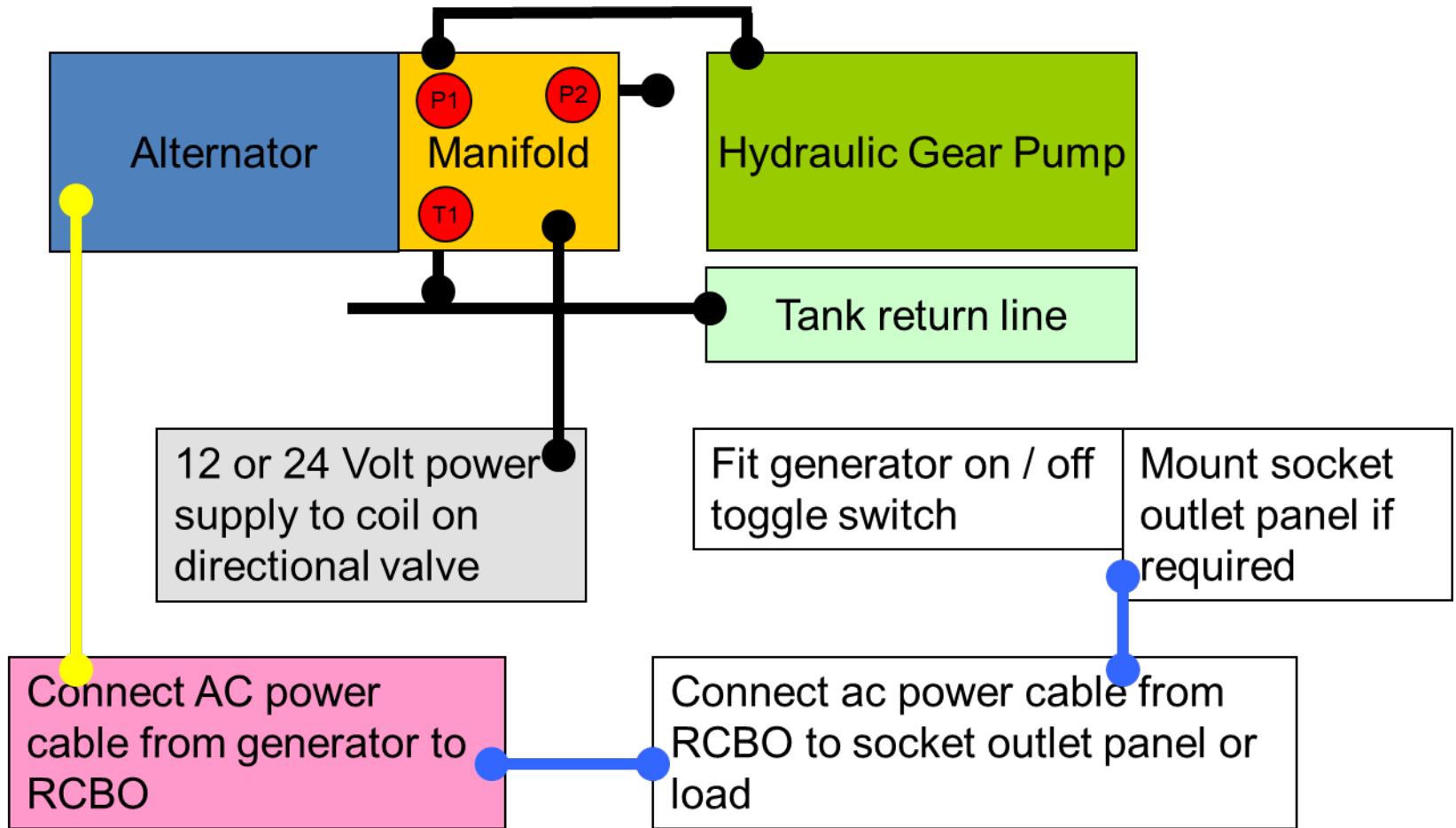


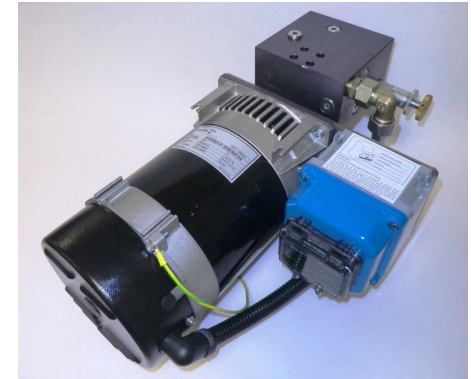
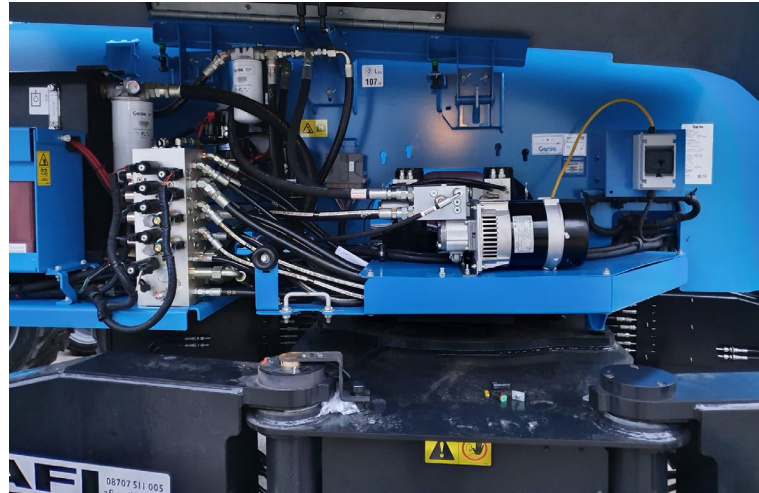
Hydraulic Generator connection variable displacement pump





Hydraulic Generator connection fixed displacement pump





Manufactured By
HMG HYDRAULIC Generators Ltd
www.hydraulicgenerators.co.uk - Tel (44) 203 286 7476